

D

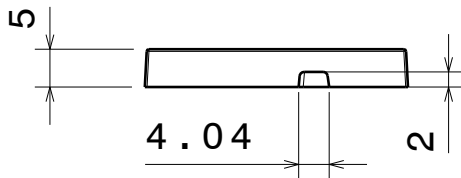
C

B

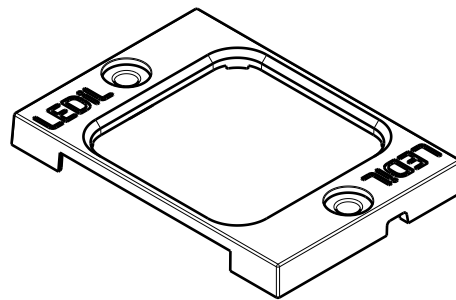
A

4

4



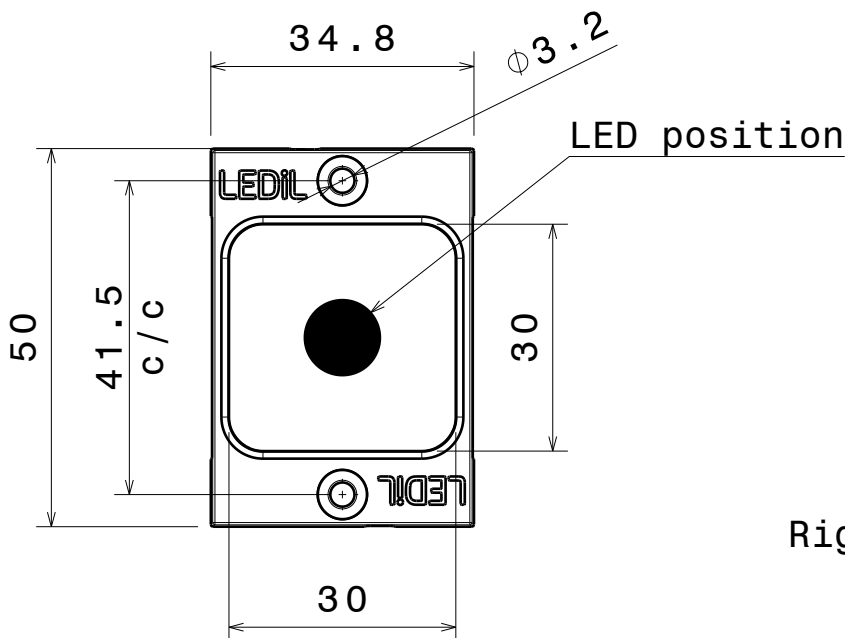
Front view



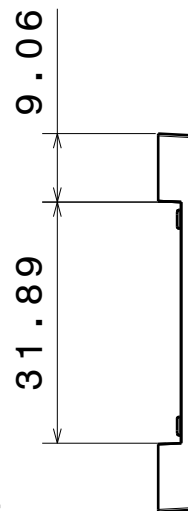
Isometric view

3

3



Top view



Right view

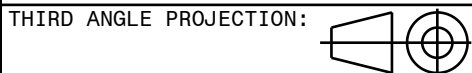
2

2

INDEX	PART NO	DESCRIPTION	MATERIAL	COLOUR
1	C14436	JENNY-HLD-A-BLK	PC	black

Tolerances if not otherwise shown
 According to DIN ISO 2768-1
 Linear measures: class C
 According to DIN ISO 2768-2
 Form and position: class L

LEDiL
 Ledil Oy
 Salorankatu 10
 FIN 24240 SALO
 Finland



THIRD ANGLE PROJECTION:

DRAWING TITLE
C14436_JENNY-HLD-A-BLK

This drawing is the property
 of LEDiL Oy. It may not be
 reproduced, copied or
 communicated without a written
 agreement with LEDiL Oy.

SIZE PART NUMBER
A4 C14436

SCALE 1:1 WEIGHT 2,65 g SHEET 1/1

1

1

D

A